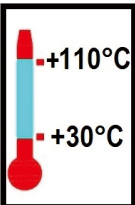

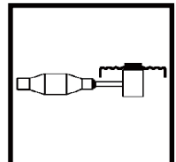
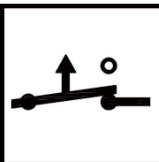
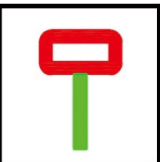
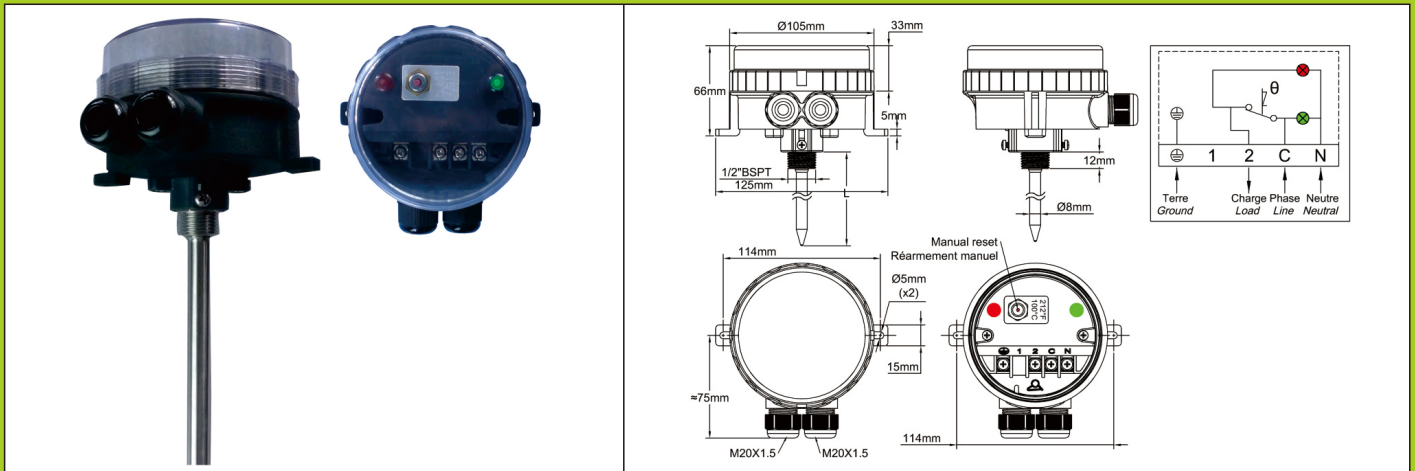


# Fixed setting manual reset limiter, rod

Enclosure	Type	Operation	Contact	Measurement	Ranges °C	Models
IP66,IK10	Manual reset	Mechanical	SPNC	Rod		YF4LNC
Material						
PA66 & PC						



## Applications

-Equipment requesting a very strong resistance to water ingress. The transparent cover allows to visualize the set point and the 2 pilot lights

These liquid expansion rod manual reset limiter can be installed inside pockets as immersion thermostats in pipelines and containers, and as high limit safety in air ducts, in usual industrial applications and environments. (Not suitable for hazardous areas).

-Sealed temperature set point

**Housing:** Protection class IP 66 upon EN 60529 (waterproof spray water under high pressure and sea splashes, totally dust tight). Body in black PA66, fiber glass reinforced. The transparent polycarbonate cover can be unscrewed by hand, but it is also possible to use a hook spanner. Mechanical impact resistance : IK10. High UV resistance.

**Action:** Fail safe manual reset high temperature limit.

**Set point calibration value:** 80±8°C (176±15°F), 90±8°C (194±15°F), 110±8°C (230±15°F). Other calibration temperature on request, between 30°C and 110°C (85°F and 230°F).

Temperature adjustment: Fixed setting, sealed, no access to user.

**Sensing element:** Liquid expansion bulb and capillary inside nickel plated brass pocket. Thread ½" BSPT. Tube outside diameter 6mm. Located at the bottom of the housing, 2 screws are used to secure standard pockets. (See the compatible stainless steel and brass pockets range in the accessories section)

**Pilot lights:** One pilot light visualizes the thermostat contact output position. The other visualizes the power supply input. Phase and neutral electrical line supply are mandatory for these pilot lights.

**Cable input and output:** Two M20 cable glands, built-in black PA66.

**Electrical connections:** Inside, on screw terminal connection block. It is possible to connect 2 wires 1.5mm<sup>2</sup> on each terminal.

**Earthing:** Internal screw terminal.

**Mounting:** By the pocket thread or by 2 legs with holes for screws dia. 4 to 5 mm, 114 mm distance.

**Identification:** Identification label on backside. Set point calibration is printed in °C and °F beside the manual reset button.

**Contact:** Single pole, open on rise (SPNC)

**Electrical rating:** 16A res. 250/400VAC

-Electrical life >6.000 cycles.

**Minimum storage temperature:** -35°C (-30°F)

**Maximum ambient temperature:** 60°C (140°F)

For more technical information see 8L limiter technical data sheet (catalog 1).

## Main references

Calibration temperature °C (°F)	References	Minimum resettable temperature °C (°F)	Pocket length (L, mm)	Temperature sensing length (mm)	Max temperature on rod °C (°F)
80±8°C (176±15°F)	YF4LNC25080823UD	52°C (126°F)	230	87	105°C (221°F)
80±8°C (176±15°F)	YF4LNC25080830UD	52°C (126°F)	300	87	105°C (221°F)
80±8°C (176±15°F)	YF4LNC25080845UD	52°C (126°F)	450	87	105°C (221°F)
80±8°C (176±15°F)	YF4LNC25080860UD	52°C (126°F)	600	87	105°C (221°F)
90±8°C (194±15°F)	YF4LNC25090823UD	60°C (140°F)	230	87	115°C (239°F)
90±8°C (194±15°F)	YF4LNC25090830UD	60°C (140°F)	300	87	115°C (239°F)
90±8°C (194±15°F)	YF4LNC25090845UD	60°C (140°F)	450	87	115°C (239°F)
90±8°C (194±15°F)	YF4LNC25090860UD	60°C (140°F)	600	87	115°C (239°F)
110±8°C (230±15°F)	YF4LNC25110823UD	75°C (167°F)	230	87	135°C (275°F)
110±8°C (230±15°F)	YF4LNC25110830UD	75°C (167°F)	300	87	135°C (275°F)
110±8°C (230±15°F)	YF4LNC25110845UD	75°C (167°F)	450	87	135°C (275°F)
110±8°C (230±15°F)	YF4LNC25110860UD	75°C (167°F)	600	87	135°C (275°F)